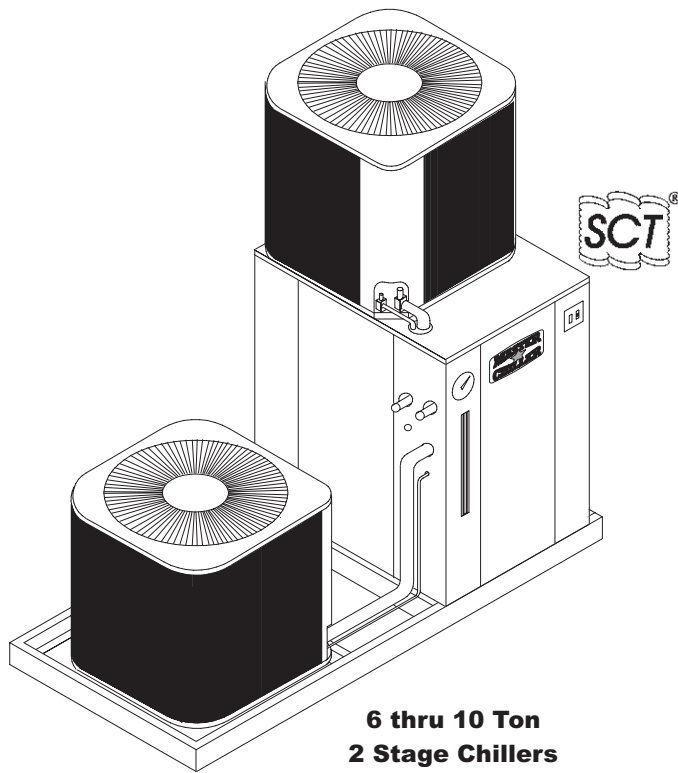




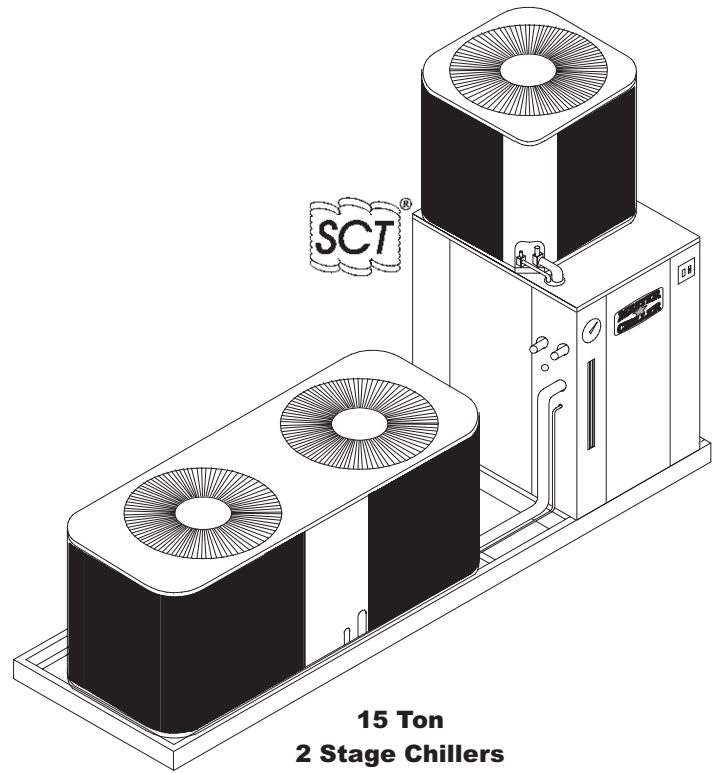
# Product Sheet



6 thru 15 Ton  
Package  
side by side  
2 Stage Chillers



**6 thru 10 Ton  
2 Stage Chillers**



**15 Ton  
2 Stage Chillers**

## STANDARD FEATURES

- Powder Coated, welded channel iron skid frame.
- Powder Coated, welded angle iron frame.
- Powder coated Paint Grip® steel panels.
- On/Off switch and temp. indicator.
- High Efficiency Industrial Condenser.
- High efficiency American made compressor.
- Industrial Accumulator.
- Industrial Receiver.
- Industrial Manual reset high pressure safety.
- Industrial Auto. reset low pressure safety.
- Industrial pump down system.
- Moisture indicating liquid line sight glass.
- R-22, HCFC system; ready to run. Appr. till yr. 2020.
- Covered & insulated Polyethylene Tank.
- Tank liquid level indicator/with makeup float valve.
- Efficient Spirallex Cluster Coil® evaporator.
- High pressure/volume GOULDS® pump.
- Internal liquid system bypass.
- Temperature controlled in tank/Stores cold liquid.
- Can chill water or non-flammable/corrosive liquids.
- Energy Saving 2 Stage operation.
- Fan cycling for low ambients down to +10°F.\*
- Tank, pump, ref. coil, and condensing unit in **one package**.
- Suitable for inside or outside installation.
- **Factory charged and tested** under load.
- Single point electrical connection.
- Ready to run, just hook up elec. and liq. lines.

### WARRANTY

- Compressor 5 years.
- All other parts 1 year.
- **Labor 1 year.**

### OPTIONS

- Glycol fill port.
- \*Head Pressure low ambient control to -40°F.
- Digital controls/remote digital controls.
- Larger pumps.
- Stainless steel tank and pump cabinet.
- Pump pressure gage.

*Building better Chiller Systems since 1981*

**MASTER CHILLER INC.** 3730 Dividend Dr. Garland, TX. 75042

**1-800-666-5822**

**972-272-0886**

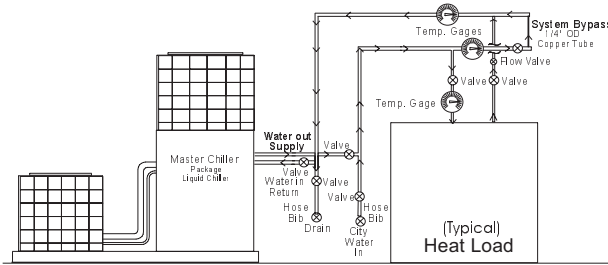
**FAX 972-494-9047**



# Product Information



6 thru 15 Ton  
Package  
side by side  
2 Stage Chilliers



**Package S/S Chillers are factory charged, tested, and ready to run.**

**One electrical connection, two pipe connections and the Chiller is installed.**

**Chillers can be installed inside or outside.\***

**Well suited for rooftop installation.\***

**Chillers come standard with fan cycling for operation down to +10°F.**

**Chillers can be operated down to -40°F with optional low ambient kit.**

\* Chillers installed in freezing conditions must have Glycol or Antifreeze added to the chilled liquid causing capacity reduction.

## Simple easy installation

### Specifications

Model #	Nom. Tons	Chiller Electrical	Approx. Amps	Min. Fuse	Unit Dim. L W H	Tank Size	Pump Size	Water IN OUT	Approx. Ship WT.
<b>MCPS621</b>	<b>6</b>	<b>208-230/60/1</b>	<b>43.5</b>	<b>54.5</b>	<b>39"x77"x68"</b>	<b>55 Gal.</b>	<b>¾ Hp</b>	<b>1 ¼" 1"</b>	<b>547</b>
Con.Unit #1	3	208-230/60/1							
Con.Unit #2	3	208-230/60/1							
<b>MCPS623</b>	<b>6</b>	<b>208-230/60/3</b>	<b>31.3</b>	<b>39.6</b>	<b>39"x77"x68"</b>	<b>55 Gal.</b>	<b>¾ Hp</b>	<b>1 ¼" 1"</b>	<b>547</b>
Con.Unit #1	3	208-230/60/3							
Con.Unit #2	3	208-230/60/3							
<b>MCPS821</b>	<b>8</b>	<b>208-230/60/1</b>	<b>40.6</b>	<b>51.2</b>	<b>39"x77"x78"</b>	<b>55 Gal.</b>	<b>1 Hp</b>	<b>1 ¼" 1"</b>	<b>634</b>
Con.Unit #1	4	208-230/60/1							
Con.Unit #2	4	208-230/60/1							
<b>MCPS823</b>	<b>8</b>	<b>208-230/60/3</b>	<b>50.6</b>	<b>63.9</b>	<b>39"x77"x78"</b>	<b>55 Gal.</b>	<b>1 Hp</b>	<b>1 ¼" 1"</b>	<b>634</b>
Con.Unit #1	4	208-230/60/3							
Con.Unit #2	4	208-230/60/3							
<b>MCPS1021</b>	<b>10</b>	<b>208-230/60/1</b>	<b>65.6</b>	<b>82.9</b>	<b>39"x85"x80"</b>	<b>55 Gal.</b>	<b>1 Hp</b>	<b>1 ¼" 1"</b>	<b>765</b>
Con.Unit #1	5	208-230/60/1							
Con.Unit #2	5	208-230/60/1							
<b>MCPS1023</b>	<b>10</b>	<b>208-230/60/3</b>	<b>46.8</b>	<b>59.1</b>	<b>39"x85"x80"</b>	<b>55 Gal.</b>	<b>1 Hp</b>	<b>1 ¼" 1"</b>	<b>765</b>
Con.Unit #1	5	208-230/60/3							
Con.Unit #2	5	208-230/60/3							
<b>MCPS1024</b>	<b>10</b>	<b>460/60/3</b>	<b>28.8</b>	<b>36.4</b>	<b>39"x85"x80"</b>	<b>55 Gal.</b>	<b>1 Hp</b>	<b>1 ¼" 1"</b>	<b>765</b>
Con.Unit #1	5	460/60/3							
Con.Unit #2	5	460/60/3							
<b>MCPS1523</b>	<b>15</b>	<b>208-230/60/3</b>	<b>72.0</b>	<b>91.1</b>	<b>39"x131"x80"</b>	<b>100 Gal.</b>	<b>1½ Hp</b>	<b>1 ¼" 1"</b>	<b>1190</b>
Con.Unit #1	10	208-230/60/3							
Con.Unit #2	5	208-230/60/3							
<b>MCPS1524</b>	<b>15</b>	<b>460/60/3</b>	<b>44.6</b>	<b>56.4</b>	<b>39"x131"x80"</b>	<b>100 Gal.</b>	<b>1½ Hp</b>	<b>1 ¼" 1"</b>	<b>1190</b>
Con.Unit #1	10	460/60/3							
Con.Unit #2	5	460/60/3							

Specifications may change without notice.

Larger sizes available call **Factory** or **Sales Representative**.

*Building better Chiller Systems since 1981*

**MASTER CHILLER INC.** 3730 Dividend Dr. Garland, TX. 75042

**1-800-666-5822**

**972-272-0886**

**FAX 972-494-9047**